

Glass Summary

Client
Job Number

Planitherm + 4/16/4 Clear DG Units (Argon)Warm edge spacer					Totals	
Width	Height	Usage	Drawing	Quantity	Area M ²	
357	855	8×S1		8	2.442	
206	855	8×S1		8	1.409	
407	755	12×S2		12	3.687	
Totals				28	7.538	

Planitherm + 4/16/4 Clear DG Units with Duplex Bar (Argon)Warm edge spacer					Totals	
Width	Height	Usage	Drawing	Quantity	Area M ²	
812	250	1×S3		1	0.203	
Totals				1	0.203	

Client
Job Number

US-REDWOOD K.D. - 1.25"				Totals		
Width	Thickness	Lengths	Quantity	Length M	Volume M ³	
50	32	1×1000 (S3)	1	1.000	0.002	
Totals			1	1.000	0.002	

US-REDWOOD K.D. - 1"				Totals		
Width	Thickness	Lengths	Quantity	Length M	Volume M ³	
150	25	12×1896 (S1), 2×1813 (S1), 6×1696 (S2), 3×1113 (S2)	23	39.893	0.150	
114	25	8×2025 (S1), 4×1935 (S1), 6×1825 (S2), 3×915 (S2), 2×815 (S1), 4×295 (S1)	27	40.445	0.115	
100	25	4×2025 (S1), 6×1825 (S2), 2×1645 (S1), 3×945 (S2)	15	25.175	0.063	
150	19	4×2025 (S1), 4×1866 (S1), 6×1825 (S2)	14	26.514	0.076	
75	19	4×1866 (S1), 6×1666 (S2)	10	17.460	0.025	
63	19	8×1866 (S1)	8	14.928	0.018	
32	19	12×1866 (S1), 6×1666 (S2), 6×945 (S2), 4×845 (S1), 8×325 (S1)	36	44.038	0.027	
25	19	12×1879 (S1), 6×1679 (S2), 3×955 (S2), 6×939 (S2), 32×886 (S1), 2×855 (S1), 4×839 (S1), 24×786 (S2), 24×438 (S2), 16×388 (S1), 4×335 (S1), 8×319 (S1), 16×237 (S1)	157	117.807	0.056	
19	19	4×1079 (S3), 4×567 (S3), 8×299 (S3)	16	8.976	0.003	
Totals			306	335.236	0.532	

US-REDWOOD K.D. - 2"				Totals		
Width	Thickness	Lengths	Quantity	Length M	Volume M ³	
139	50	4×1075 (S3), 4×563 (S3)	8	6.552	0.046	
89	50	1×1000 (S3)	1	1.000	0.004	
63	50	4×968 (S1), 6×939 (S2), 6×868 (S2), 4×839 (S1), 8×319 (S1)	28	20.622	0.065	
Totals			37	28.174	0.115	

Concise wood summary

Client
Job Number

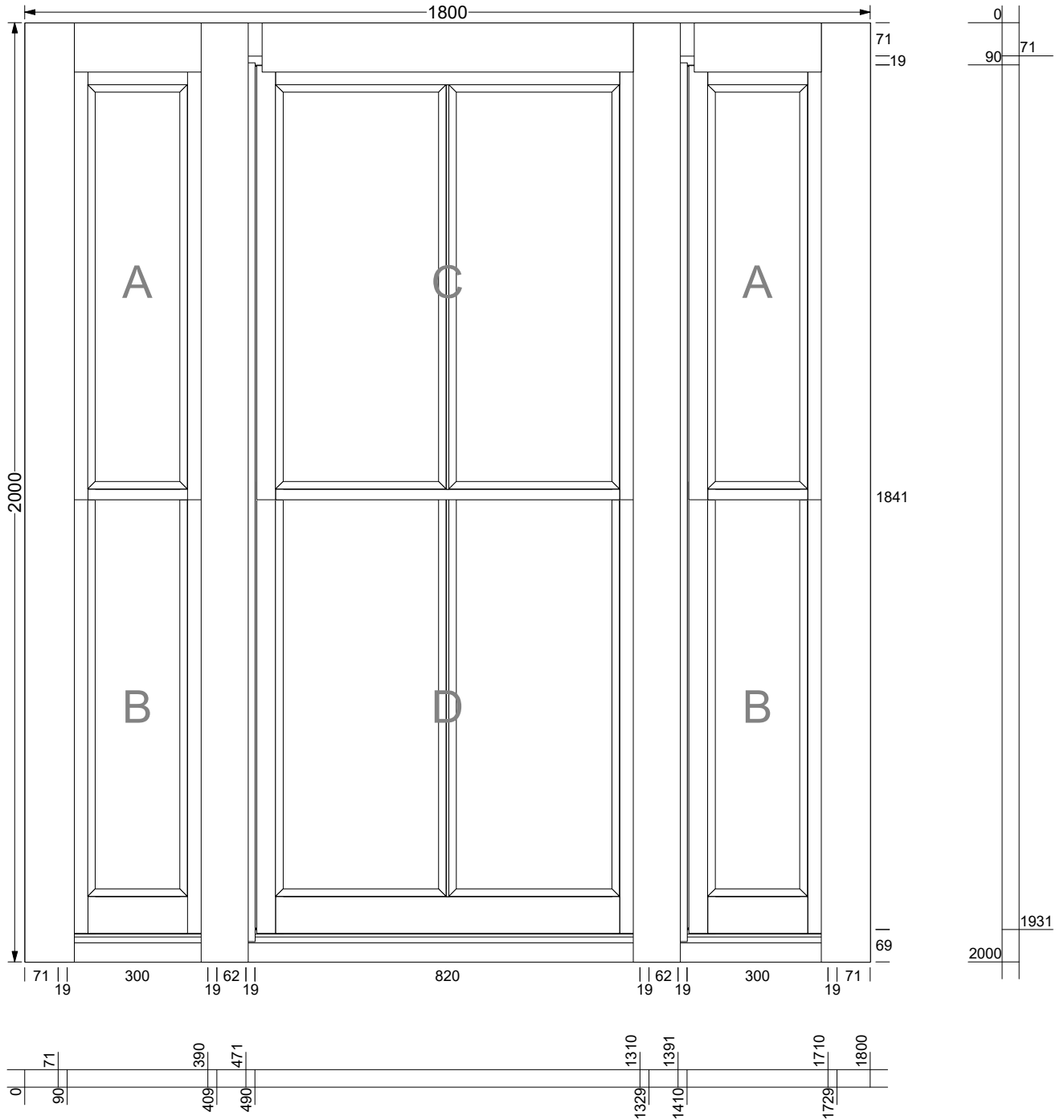
US-REDWOOD K.D. - 2.5"			Totals		
Width	Thickness	Lengths	Quantity	Length M	Volume M ³
200	63	1×839 (S3)	1	0.839	0.011
177	63	1×839 (S3)	1	0.839	0.009
114	63	2×2400 (S3), 2×2132 (S3), 1×1242 (S3), 1×1000 (S3), 1×839 (S3), 1×815 (S3)	8	12.960	0.093
100	63	3×939 (S2), 2×839 (S1), 4×319 (S1)	9	5.771	0.036
63	63	12×986 (S1), 12×949 (S1), 3×939 (S2), 6×886 (S2), 6×849 (S2), 2×839 (S1), 4×319 (S1)	45	39.401	0.156
Totals			64	59.810	0.306

US-REDWOOD K.D. - 3"			Totals		
Width	Thickness	Lengths	Quantity	Length M	Volume M ³
175	75	2×1813 (S1), 3×1113 (S2)	5	6.965	0.091
114	75	1×1000 (S3), 1×925 (S3)	2	1.925	0.016
Totals			7	8.890	0.108

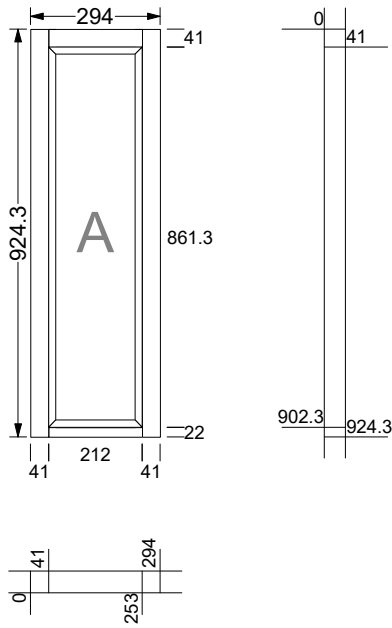
Client

Job

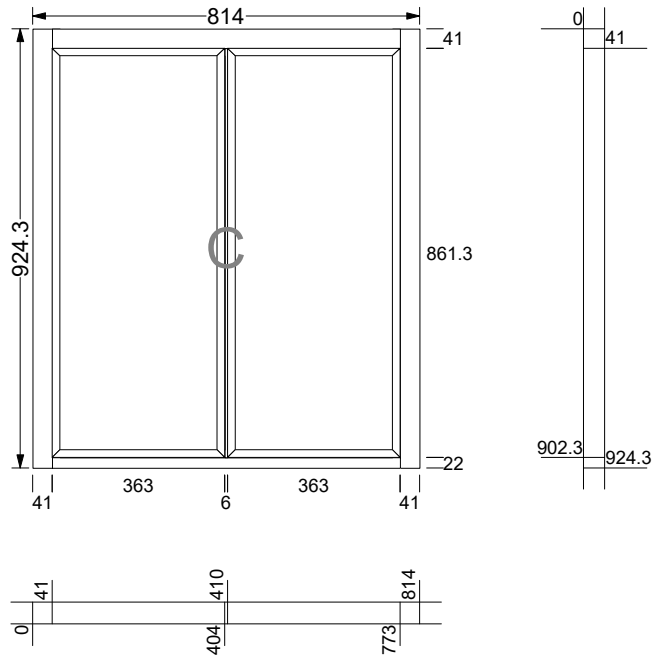
2 X Sliding Sash - SS1



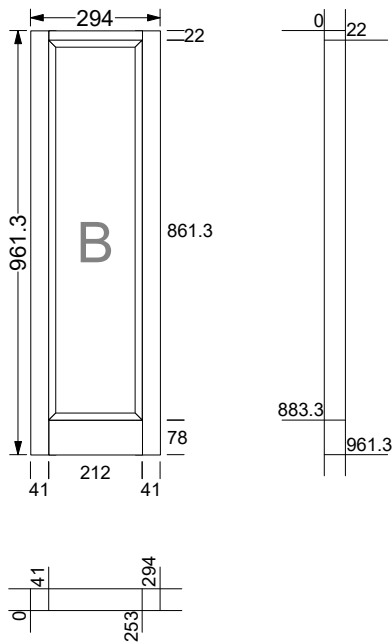
SS1
Fixed top sash x 2



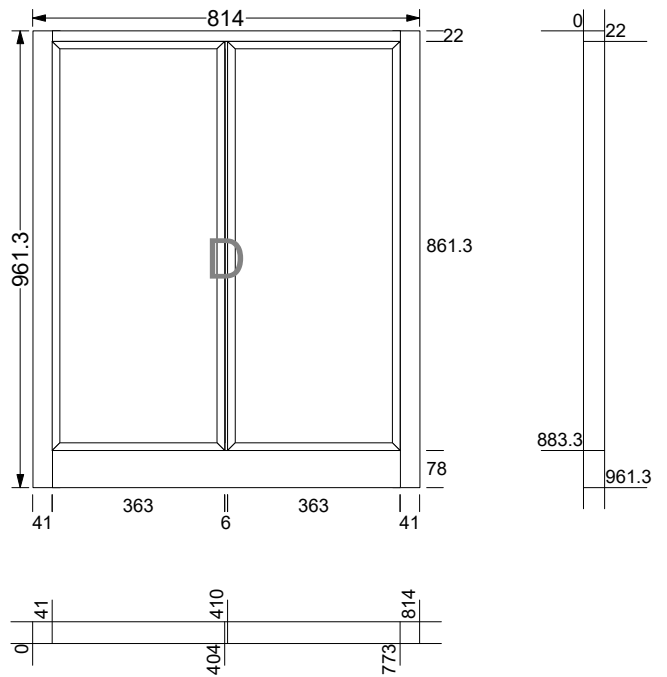
SS1
Fixed top sash



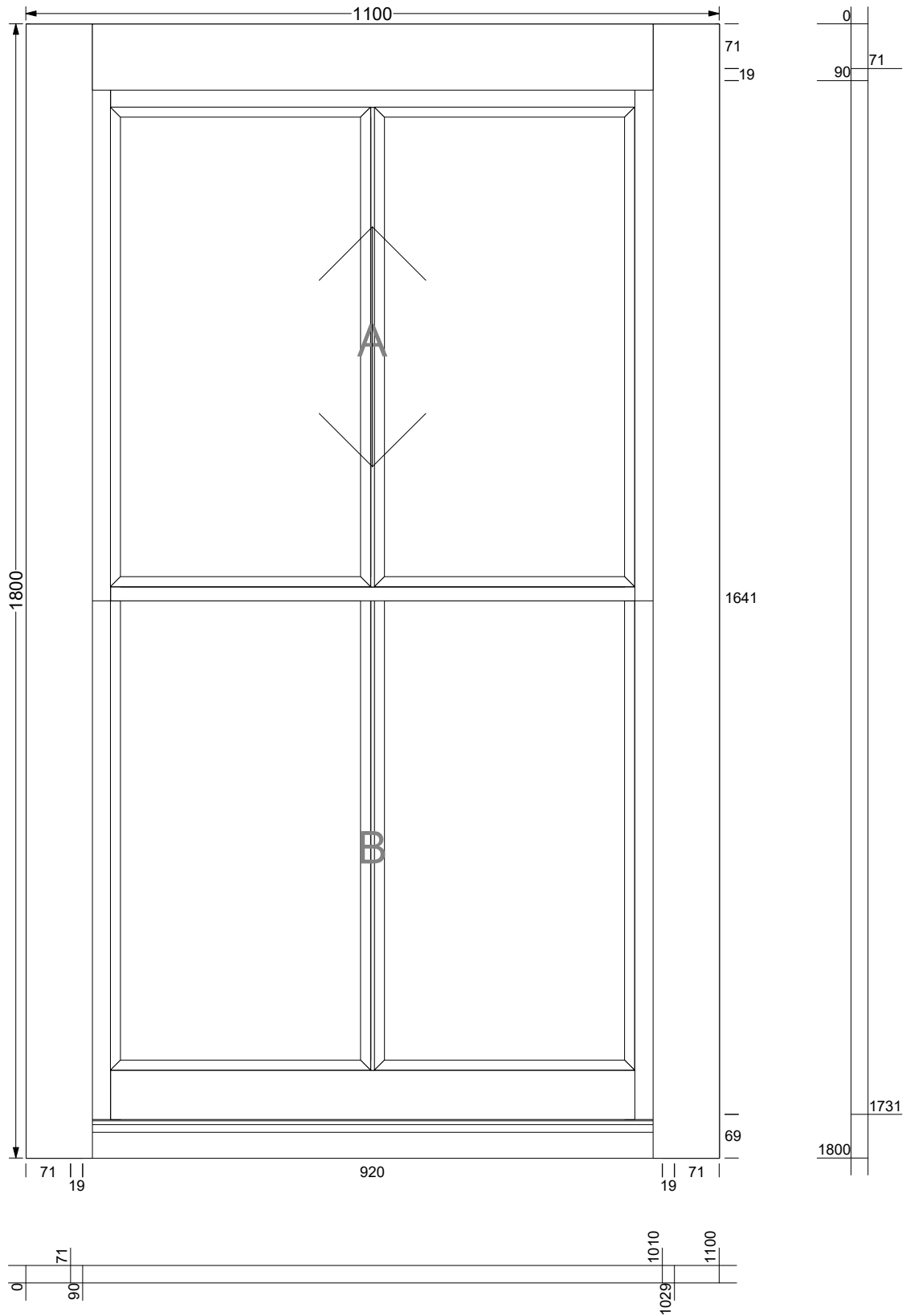
SS1
Fixed bottom sash x 2



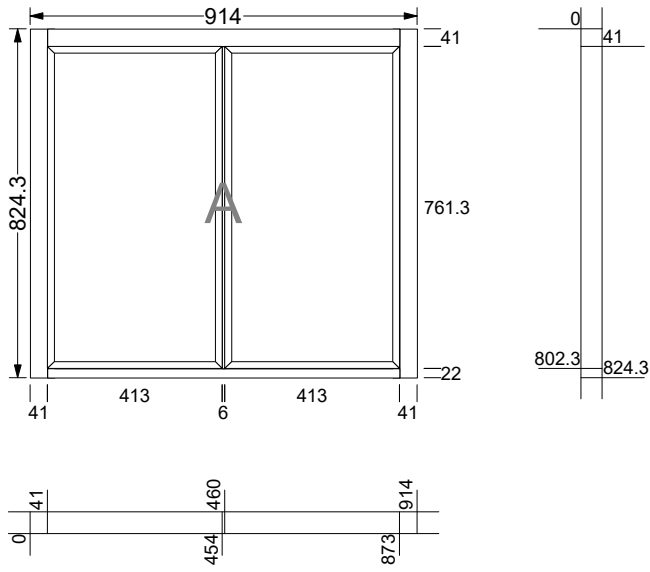
SS1
Fixed bottom sash



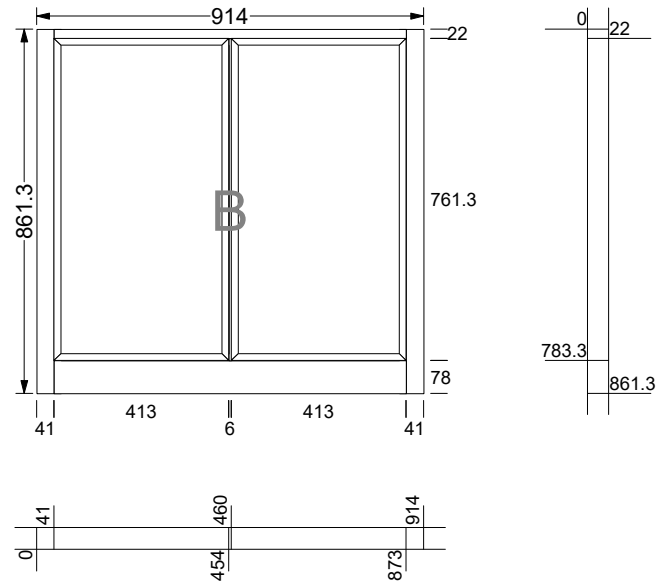
3 X Sliding Sash - SS2



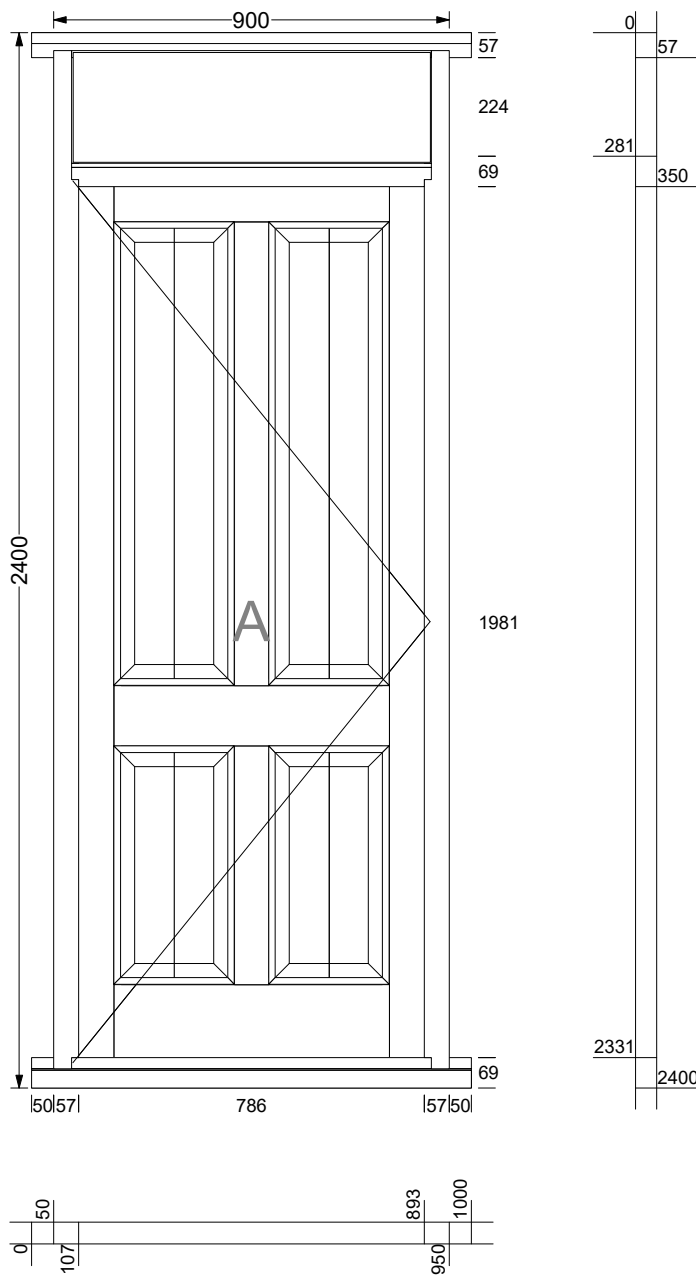
SS2
Top sliding sash



SS2
Fixed bottom sash



1 X Door Frame - S3



**S3
Door Right Hung**

